

State when ordering

FW=.....mm
 FH=.....mm
 COW=.....mm
 COH=.....mm
 WT=.....mm
 Cover
 CL=.....mm
 EAC=.....mm
 EAO=.....mm

Surface treatment

Silver anodized
 Special anodized.....
 RAL.....
 Special powder coating.....

Note: When DW ≥ 1500 mm or the customer required face plate color not in the sales list, a 200 mm wide and 1.2 mm thick stainless decorative plate will be added at a height of 950 mm on both side, the decorative plate should be flush with the face plate.

Door leaf and Reveal plate

HPL Colour.....
 Brush stainless

Window

No window
 Round window D=400mm
 Square (WxH) 600x400 mm
 WH=mm

Glass

Double glazing, flush both sides (2x5mm)

Handle

No handle
 Recessed handle, OP side
 Recessed handle, NON OP side
 Recessed handle both side
 Fixed handle, OP side
 Fixed handle, NON OP side
 Fixed handle both side
 Rotate handle

Door lock

Electromechanical lock

FW= Frame width (structural) (COW+185)
 Min. 985 / max. 2660

FH= Frame height (structural) (COH+25)
 Min. 1925 / max. 3000

COW= Clear Opening Width (FW-185)

COH= Clear Opening Height (FH-25)

WT= Wall Thickness
 Min. 80 / max. 1240

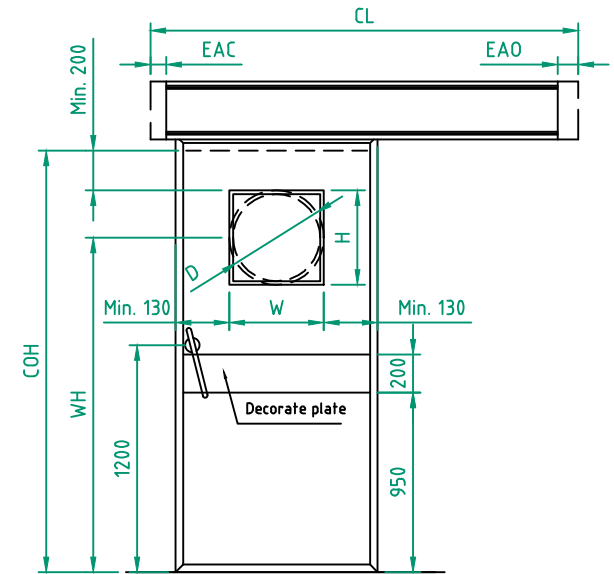
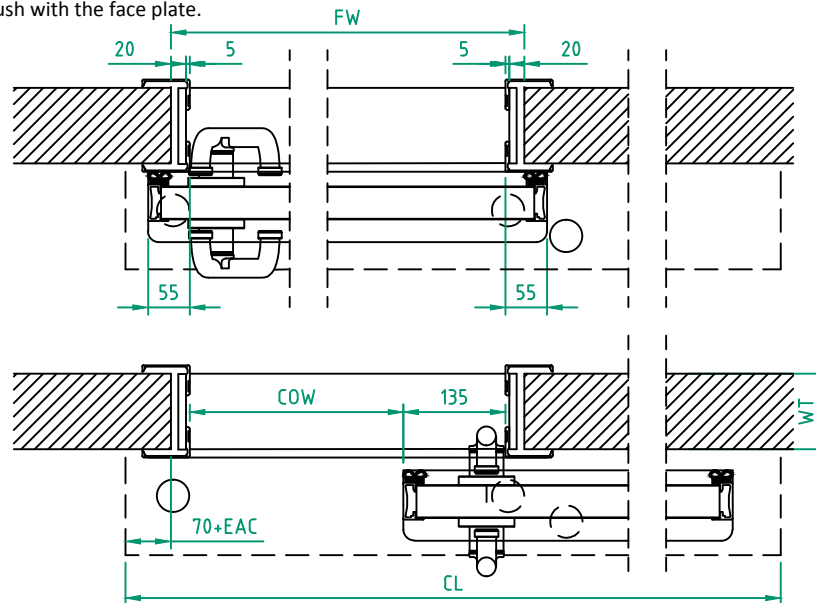
CL= Cover Length (2COW+420+EAC+EAO)
 Max. 5370mm

EAC End adjustment at closing position

EAO End adjustment at opening position
 EAC/EAO: Min. 0 / max. 600

WH= Window Height (centre)
 (standard=1500mm)

WxH= Width x Height



Customer: _____
 Door id: _____
 Project No: _____

Ref: _____
 Date: _____
 Sign: _____

Automatic door system
 Hermetic UniSlide, opening right
 with reveal plate
 Article No. 1017957

ASSA ABLOY
 2.0 1017358